

INSTALLER NOTE:  
 WATER FEATURE UNIT CAN  
 BE HINGED FROM EITHER SIDE

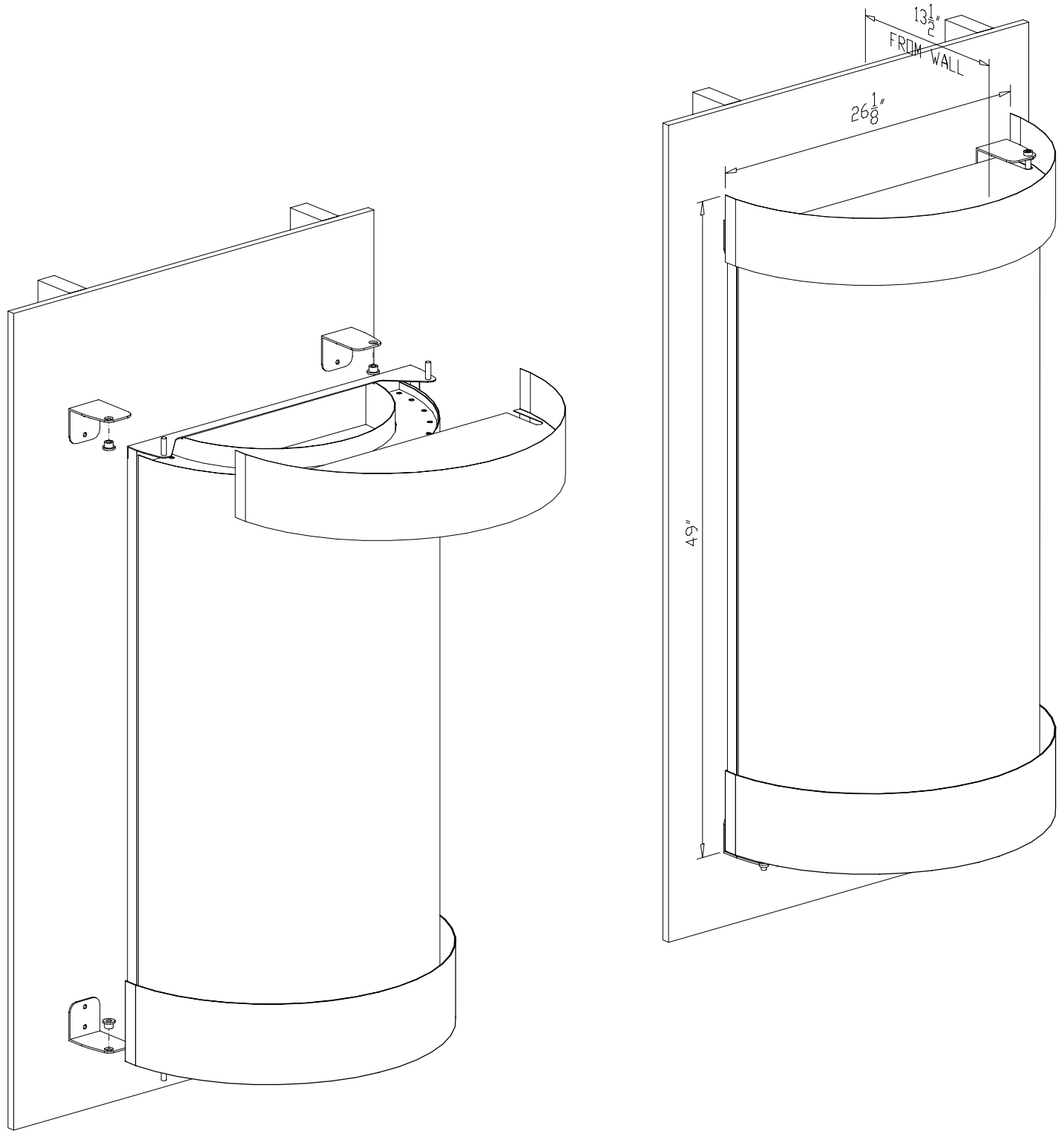


PLATE HISTORY	
INITIAL PLATE:	
REVISION 1:	
REVISION 2:	
REVISION 3:	

**RADIUSED WALL MOUNTED  
 WATER FEATURE**

DATE:	01-19-05
DRAWN BY:	M.L.S.
SCALE:	AS NOTED
JOB NO.	CMSS-071
SHEET	1 OF 1