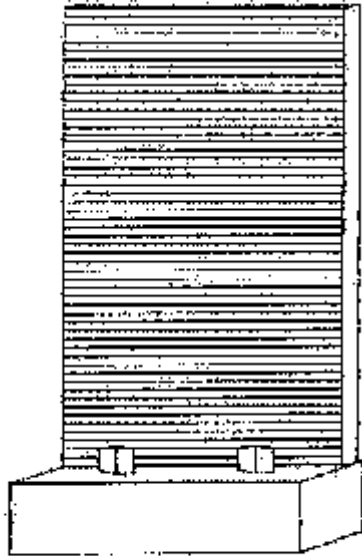
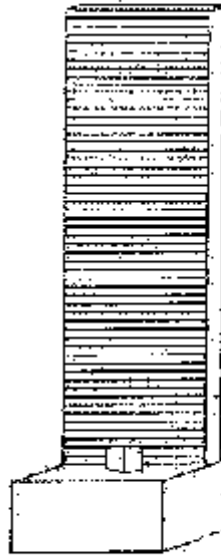


Assembly Instructions for AF-1, AF-2, and AF-3

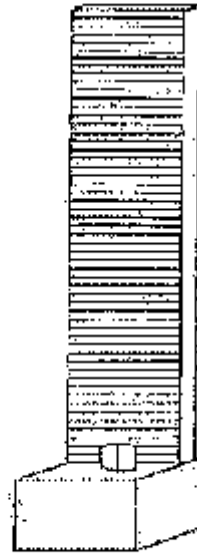
AF-1



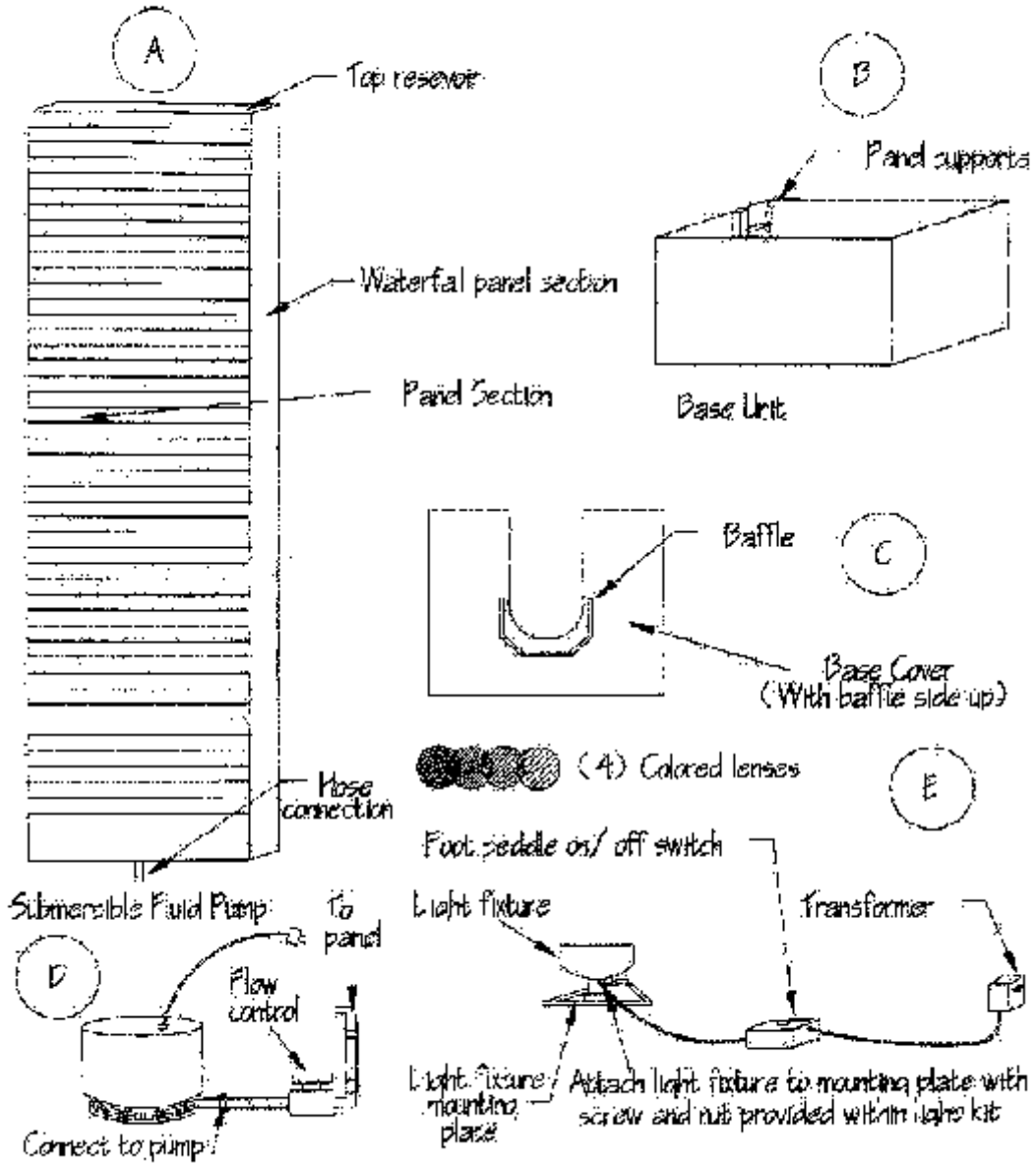
AF-2



AF-3



Waterfall Instructions (page 1 of 7)



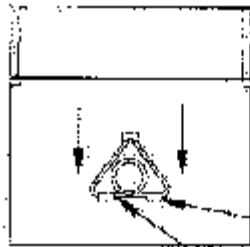
Waterfull Instructions (page 2 of 2)

STEP 3:

Insert assembled light fixture into base.

Refer to light manufacturers instructions if needed to assemble surface mount & light.

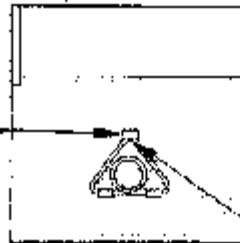
1ST Slip back (Straight) side under
(2) rear mounting clips



Rear mounting clips
Slide under rear clips

TOP VIEW OF BASE UNIT

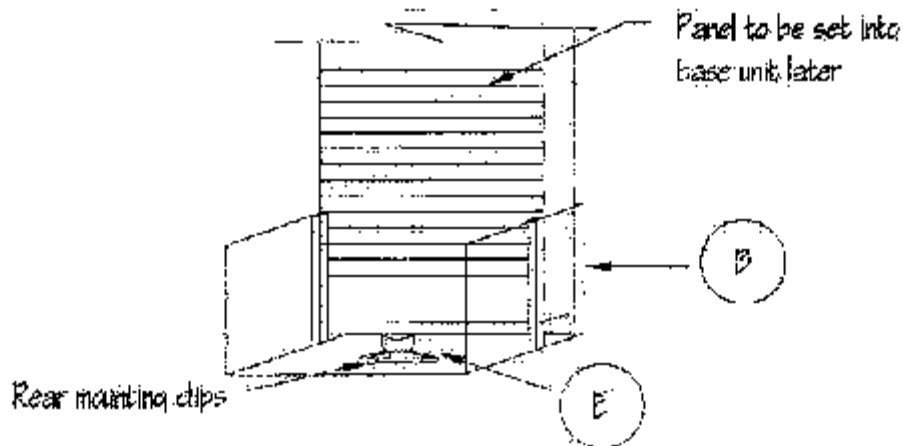
2ND Push front (curved) side
down until it snaps under front mounting clip



Front mounting clip

Push down

TOP VIEW OF BASE UNIT



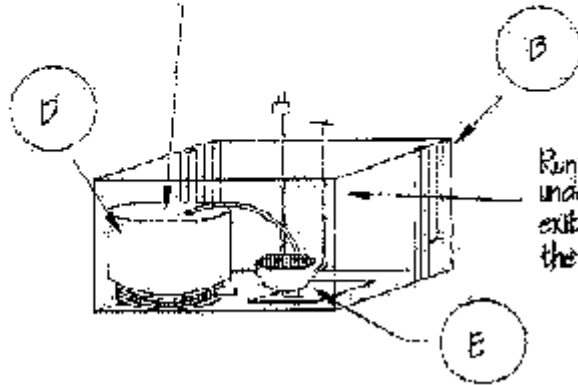
NOTE** It is suggested that Light Fixture Be Submerged At All
Times To Extend The Life Of The Bulb.

Unit should remain 1/2 - 2/3 of the way full of water when in use

Waterfall Instructions. (page 3 of 7)

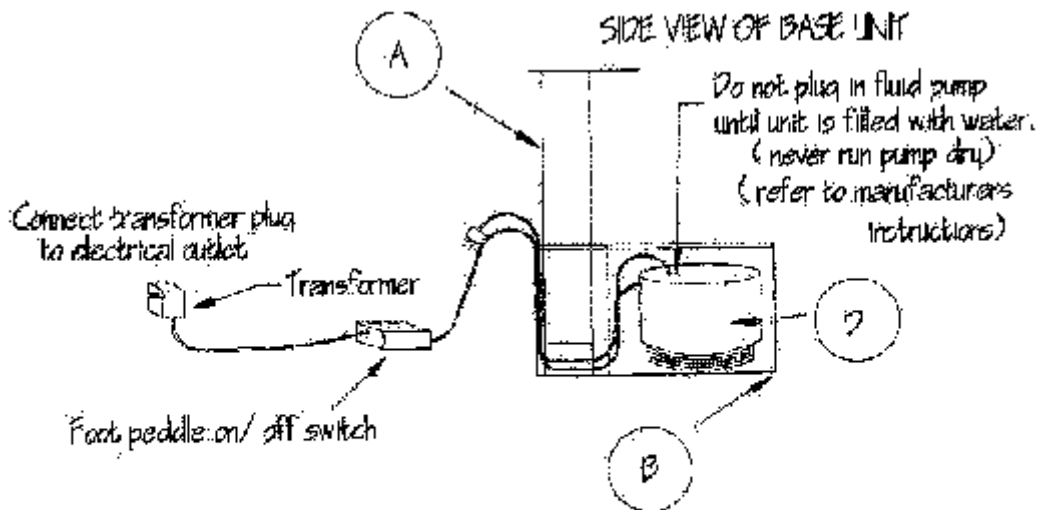
STEP #2.

Set submersible pump into base unit.



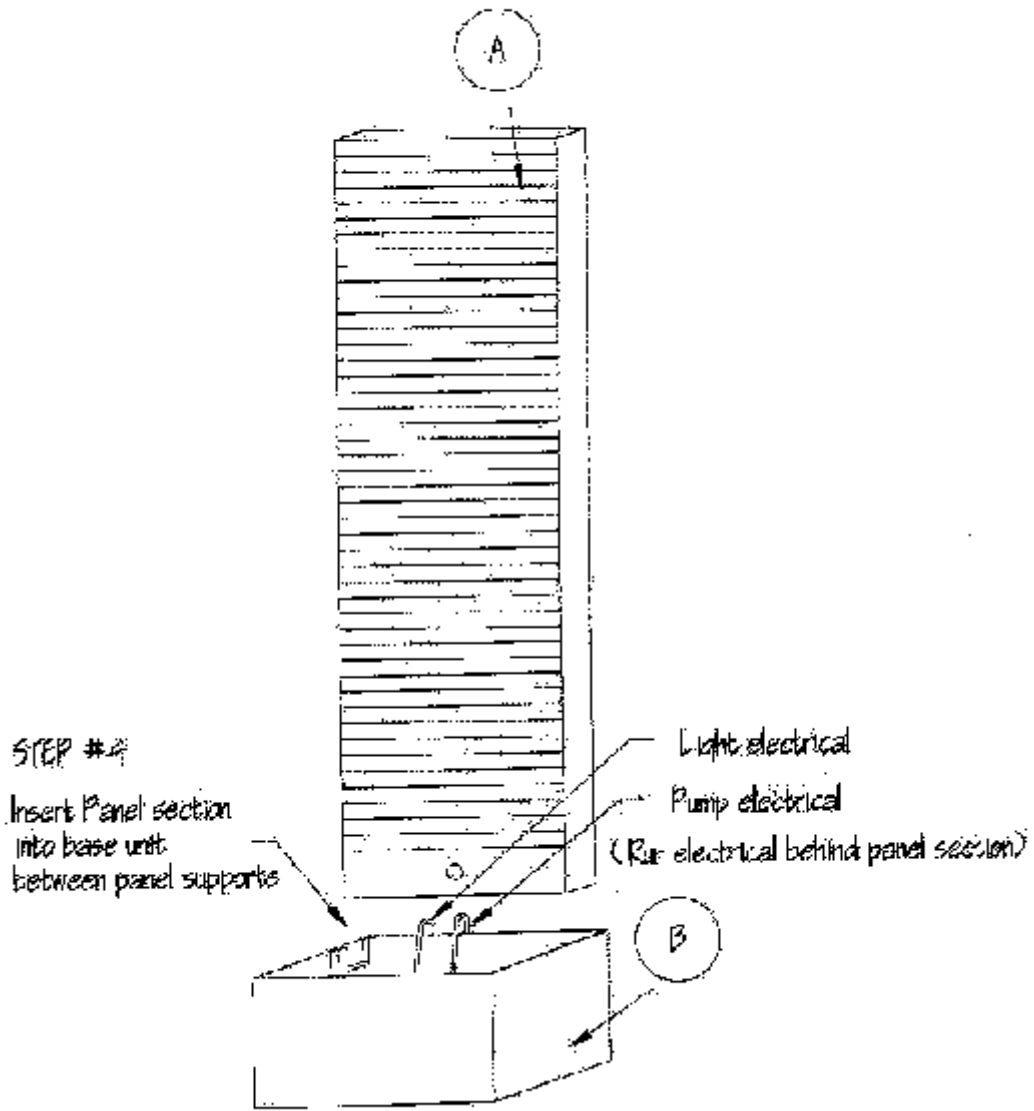
STEP #3.

Run electrical cords under panel supports so that they exit the base unit in the rear of the base unit.

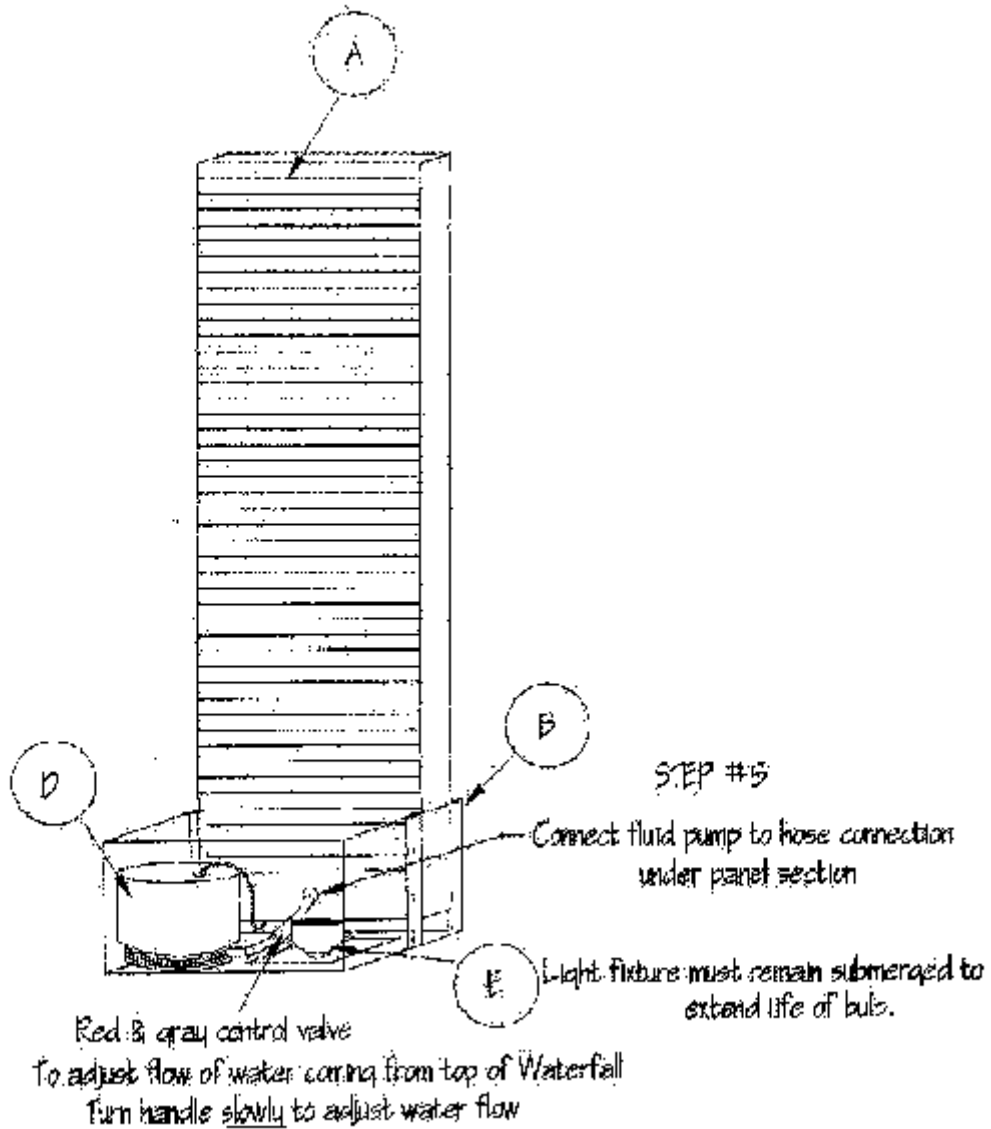


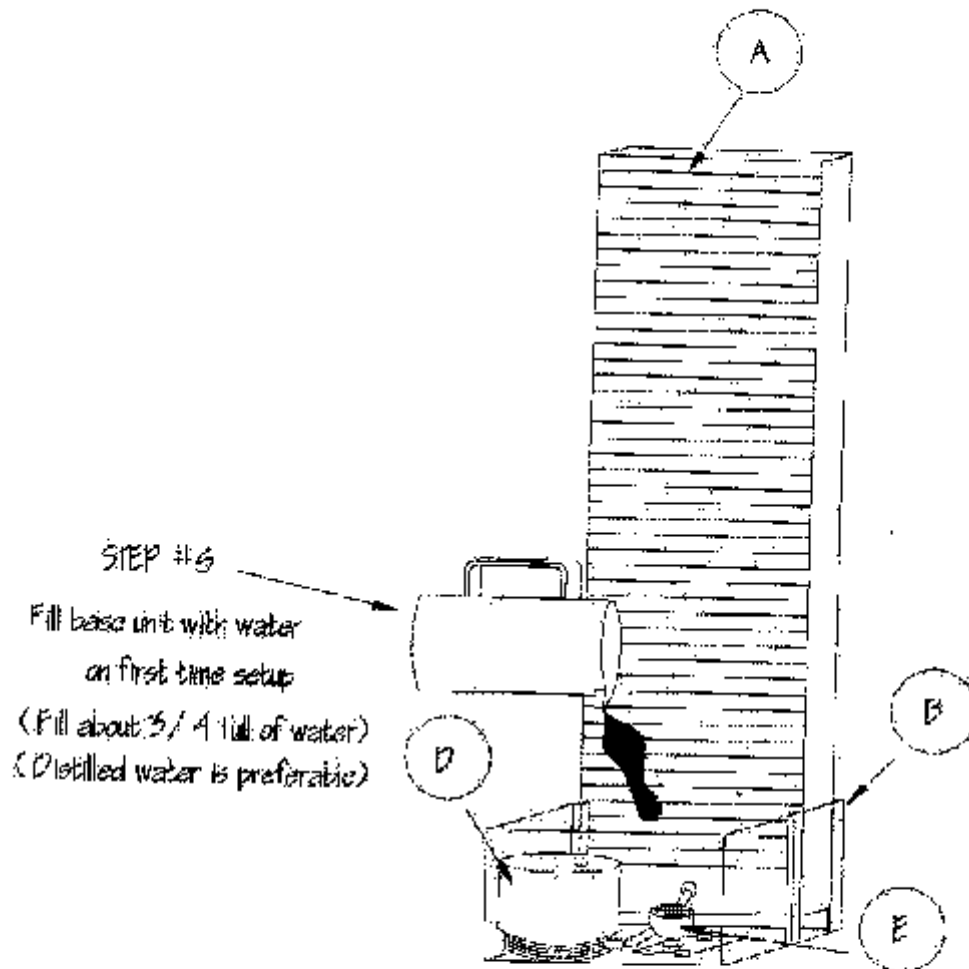
Electrical should be run under panel section and out rear of base unit.
Electrical must be run before panel section is installed.

Waterfall Instructions (page 4 of 7)



Waterfall Instructions (page 5 of 7)

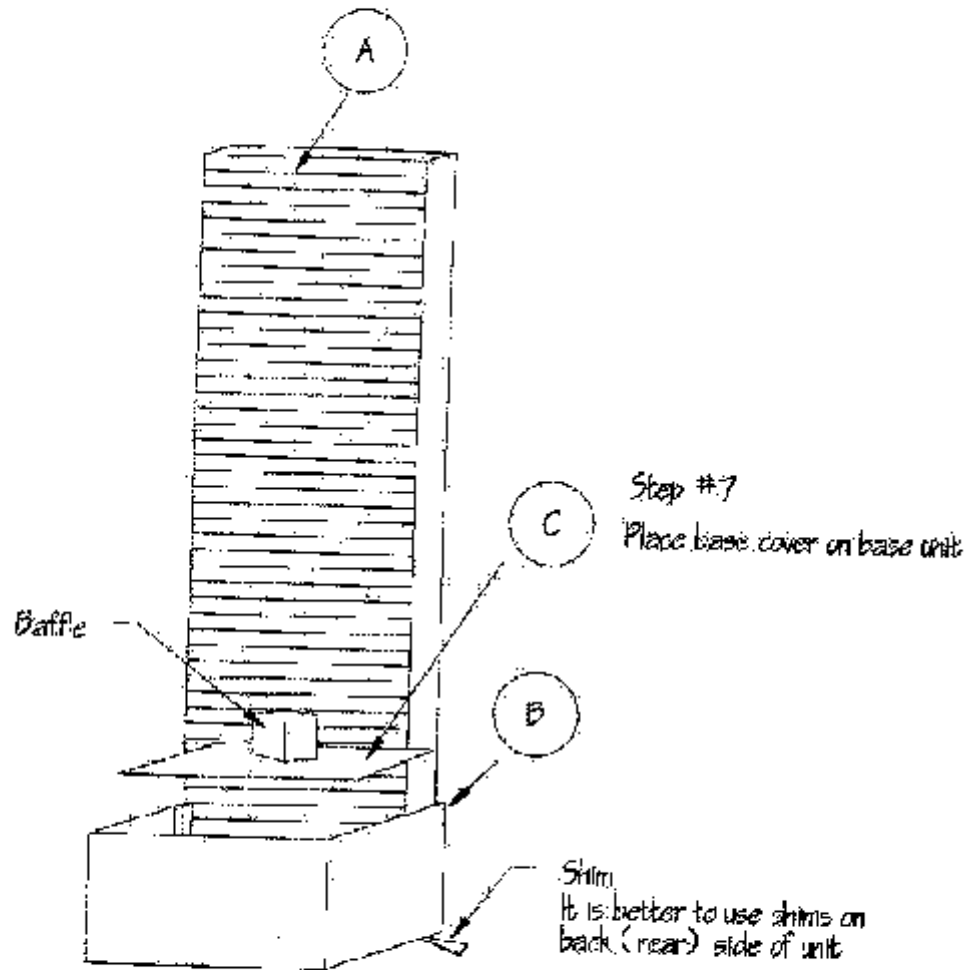




STEP #6
Fill base unit with water
on first time setup
(Fill about 3/4 full of water)
(Distilled water is preferable)

NOTE* Light fixture angle can be adjusted by hand to achieve desired light
(light should cover most of the front surface of the panel)
You may choose from (4) different colored lenses included if desired
(refer to light fixture kit for mounting colored lenses)

Waterfall Instructions (page 7 of 7)



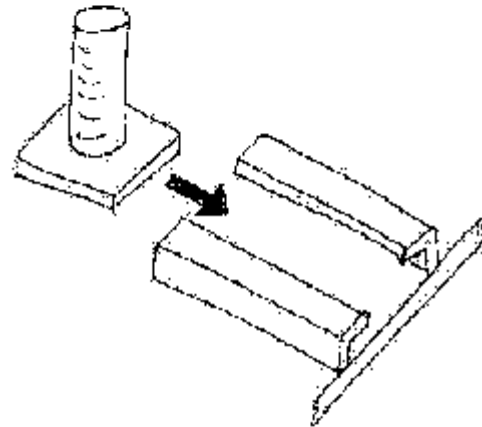
IMPORTANT

Make sure unit is level so water will flow evenly down pane,
(if unit is not level shims may be added to bottom of base unit)

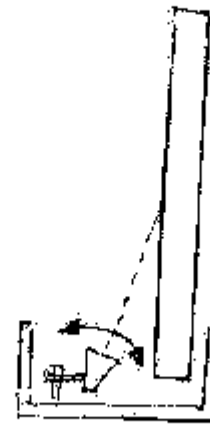
Aqua Fall Lighting System

*** Remember to route light power cord BEFORE installing panel section (refer A)

Lights are mounted on a clear rod which will slide into the slot in the base. (see drawing to the right) Slide the rod all the way to the front.



Light will need to be adjusted after unit is assembled, but before the cover is installed. (see drawing to the right)



Read next page for adjusting the light shows.

Aqua Fall Lighting System

CONTROLLING MoodEfx

Use the app's existing light switch to turn MoodEfx on and off.

MoodEfx lights are preprogrammed with an assortment of unique light shows.

- Turn MoodEfx Off and then ON again in 1 second or less, to go to the next show.
- Turn MoodEfx OFF for more than 6 seconds and it "remembers" the last show you selected, returning to that show the next time MoodEfx is switched on.

DESCRIPTION OF SHOWS

1. SLOW COLOR WASH*

Colors transition gracefully from color to color, cycling through the color spectrum. Each color cycle takes approximately 3 minutes.

2. FAST COLOR WASH*

Colors transition from color to color, cycling through the color spectrum. Each color cycle takes approximately 1 minute.

3. SLOW RANDOM COLOR*

Colors step or jump from one color to the next in random order. Each color lasts approximately 10 - 15 seconds.

4. FAST RANDOM COLOR

Colors step or jump from one color to the next in random order. Each color lasts approximately 5 seconds.

5. HIGH SPEED RANDOM COLOR

A rapid series of intense flashes of varying colored light.

6. CROSS FADE*

Colors cycle back and forth gracefully between blue and green. Total cycle lasts 1 minute.

7-10. FIXED COLORS

Static display of a single color. Available colors include white, pink, lavender, light blue, dark blue, light green, and dark green.



HELPFUL HINTS FOR CARE AND MAINTENANCE FOR AQUA FALLS AF-1 & AF-2

This unit was designed to provide years of reliable service with minimal maintenance.

1. Periodic cleaning of the base cover surface may be done by using a soft cotton cloth such as a diaper or similar cloth with an acrylic cleaner. Novus, Brilliance, or Plexus are recommended to properly clean acrylic surfaces. Never use abrasive cleaners or sharp objects to clean your Aqua Fall. The Aqua Fall panel section may be periodically cleaned by using a soft brush to loosen the dirt that may become trapped within the grooves.
2. The pump can be run continuously should you desire to do so. However, the water level in the base reservoir must be checked periodically to assure the pump will not run dry. Depending on the water quality you are using to fill the Aqua Fall, you may want to add a small amount of Water Humidifier Treatment. Usually a heavy alkaline concentration in your water would indicate the need to add this treatment. Follow the water treatment manufacturer's instructions.
3. It is very important that your Aqua Fall be level from left to right as the Aqua Fall will not operate properly until it is level. Not leveling properly can cause the water to fall more to one side and splash over. We have included two plastic shims so you may level your unit.

IMPORTANT SAFETY INSTRUCTIONS

To avoid the possibility of the appliance plug or receptacle getting wet, position Aquarium stand and tank to one side of a well mounted receptacle to prevent water from dripping onto the receptacle or plug. A "drip loop" should be arranged by the user for each cord connecting a Aquarium to a receptacle. The "drip loop" is that part of the cord below the level of the receptacle or the connector if an extension cord is used, to prevent water traveling along the cord and coming in contact with the receptacle. If the plug or receptacle does get wet, DON'T unplug the cord due to risk of electric shock. Disconnect the fuse or circuit breaker that supplies power to the appliance. Then unplug and examine for presence of water in the receptacle.

NOTE:

**ALWAYS UNPLUG THE ELECTRICAL CONNECTIONS
TO THE TANK WHEN SERVICING
THE AQUARIUM !!!**

**NEVER USE GLASS CLEANER
ON THE ACRYLIC BODY OF THE TANK.
ALWAYS USE A PLASTIC OR ACRYLIC POLISH OR CLEANER**

**ANY MODIFICATIONS MADE TO THIS PRODUCT WILL VOID
THE WARRANTY AND MANUFACTURER'S LIABILITY!**