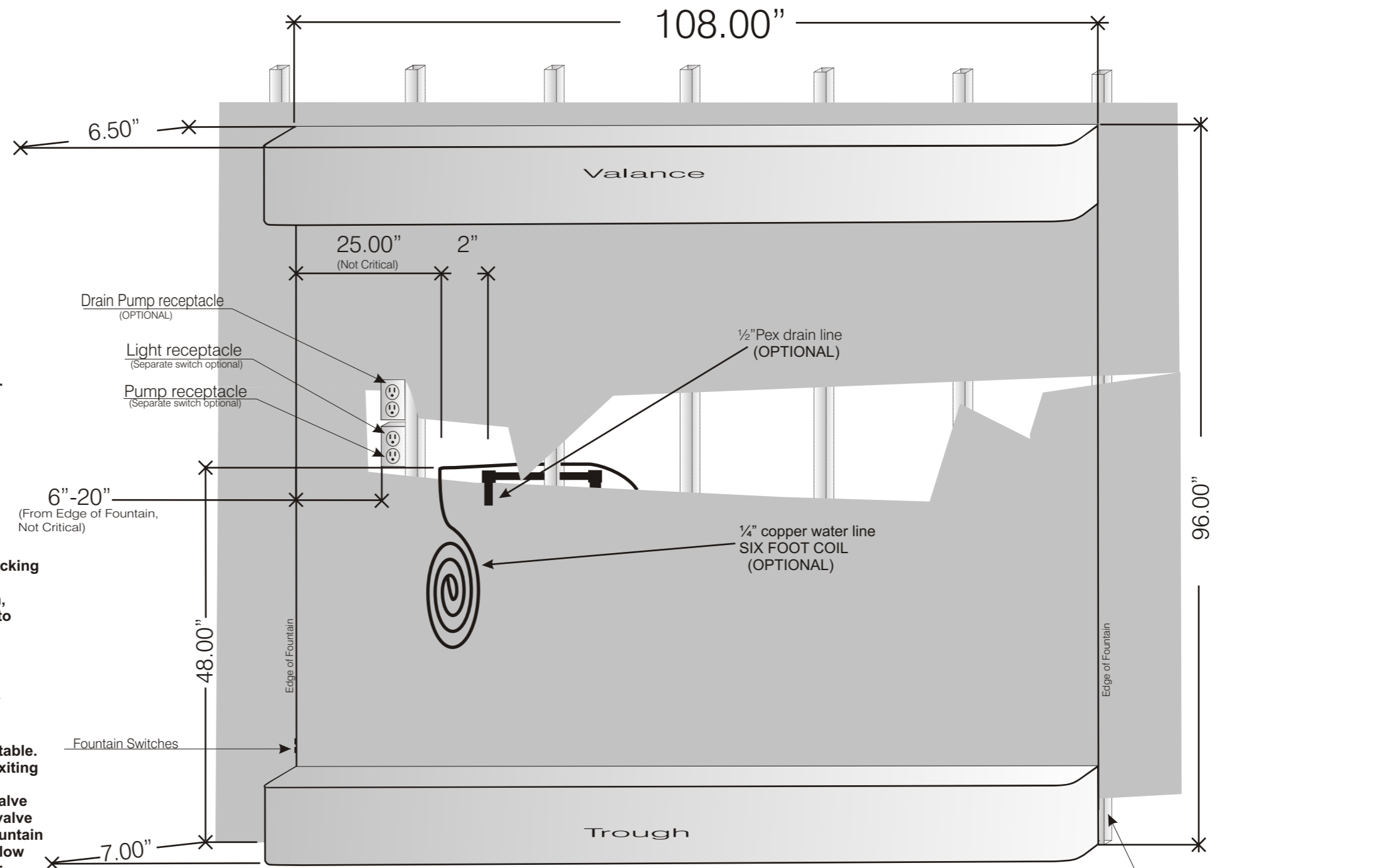


# “Solace” Water Fountain

## Slate water feature requires

- 120 Volt/15amp power.
- Optional 1/4" Copper water supply line.
- Optional 1/2" Pex Drain line.
- (Option #1) One wall mounted receptacle, the fountain will plug into this receptacle and use it's own switches to operate the pump and lighting. (MOST COMMON OPTION)
- (Option #2) Two wall mounted switches to power each half of the receptacle on the wall, this allows for independent control of the pumps and lighting of the fountain. The switches on the fountain are terminated and the wall switches are now used to operate the fountain. This option allows you to install a dimmer module on the wall to dim the lighting on the fountain.
- (Option #3) Three wall mounted switches to power three outlets independently for separate control of the pumps, lighting and drain pump. The fountain switches will be terminated as the wall switches will operate the fountain.
- If the optional drain pump is chosen the drain line will be connected to a submersible pump in the trough and will force water up and out into the line.
- A Wood studded wall is required to hang the fountain as fountain weight is 1000 lbs. A minimum of 5 wood studs are required if fountain is to be hung on the wall. If fountain is to be installed sitting on the floor the wall can be constructed using steel studs, however some support backing should be installed. (Call for details)
- The wall is to be dry-walled and painted to completion
- The fountain will be attached to the wood studs/backing in the wall using 5/16" lag bolts.
- Depending on which option of switching is chosen, install the appropriate 120 Volt receptacle(s) flush to the wall. Supply power to this fountain is on a GFI protected circuit, the GFI breaker is not allowed on the wall behind the fountain (preferred location, breaker panel or an adjacent wall).
- Install a 1/4" Copper Water Line. This supply water line is to be connected to a soft water or a reverse osmosis system, however it is not mandatory. Connecting it to a unfiltered water source is acceptable. This water line is installed inside the feature wall exiting out through as shown in diagram. The water line requires an accessible shut on/off valve located anywhere other than the feature wall, this valve is used frequently to turn on/off the water to the fountain once per week. The fountain doesn't have an overflow drain therefore it is not recommended that the water supply be left on continuously (preferred location of this valve could be a mechanical room or under a sink). A six foot 1/4" copper coil is required to be left on the wall, this allows enough water line to be run into the trough and connected to the float valve assembly.
- Location of the power outlet and water supply line as indicated is desired, however if unable to install in these locations due to site conditions moving the utilities up/down side/side marginally will be acceptable.



**Side View**  
(OPTIONAL DRAIN-will require a separate power switch, call for details)

